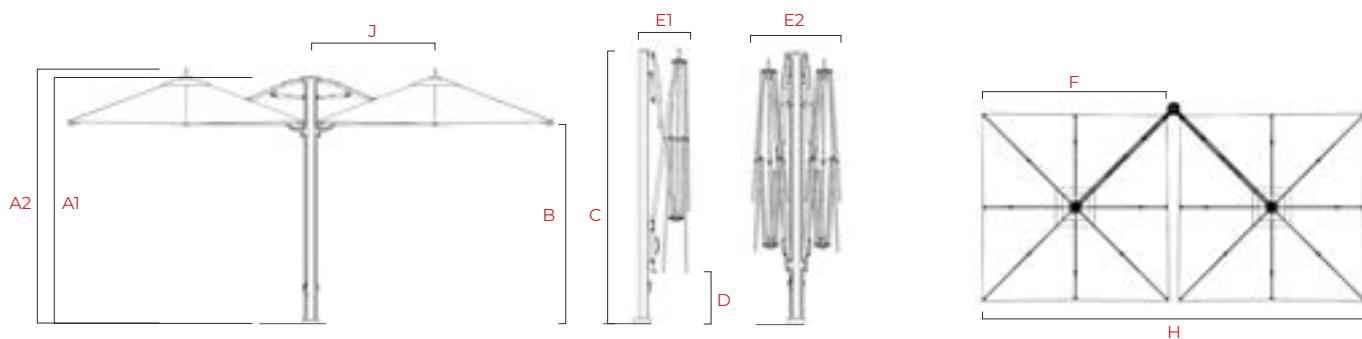




PRODUCT SPECIFICATIONS

OCEAN MASTER M1 SHADE POD DUO CANTILEVER



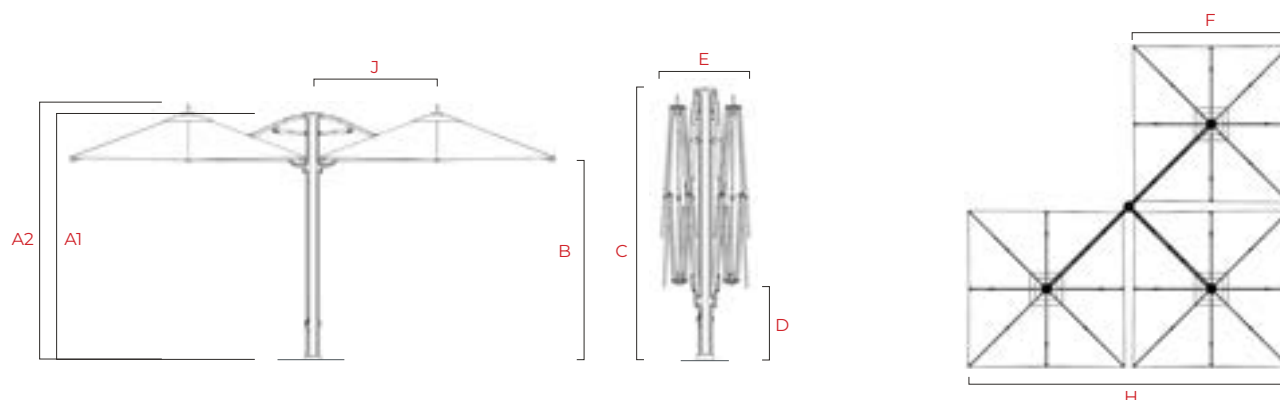
SHAPES		SQUARE	
SIZES (ft/cm)		8.0 / 245	10.0 / 305
A1 (in/cm)	MAST HEIGHT (open)	102 / 259	107 / 272
A2 (in/cm)	TOTAL HEIGHT (open)	106 / 269	117 / 298
B (in/cm)	CANOPY CLEARANCE	82 / 209	84 / 213
C (in/cm)	TOTAL HEIGHT (closed)	102 / 259	120 / 305
D (in/cm)	TABLE CLEARANCE	27 / 69	17 / 43
E1 (in/cm)	PARASOL WIDTH SIDE-PERSPECTIVE (closed)	21 / 53	18 / 46
E2 (in/cm)	PARASOL WIDTH FRONT-PERSPECTIVE (closed)	35 / 88	32 / 82
F (in/cm)	FLAT TO FLAT	97 / 246	116 / 295
H (in/cm)	PARASOL WIDTH (open)	199 / 506	240 / 610
J (in/cm)	CENTER OF CANOPY (frame to center of base stem)	51 / 130	61 / 155

Dimension Tolerances $\pm 2" / 5\text{cm}$. Dimensions shown are rounded to the nearest inch/cm and correspond to indicated lift system. Please check our 2D CAD-files for exact dimensions. Options are subject to change without notice.



PRODUCT SPECIFICATIONS

OCEAN MASTER M1 SHADE POD TRIO CANTILEVER



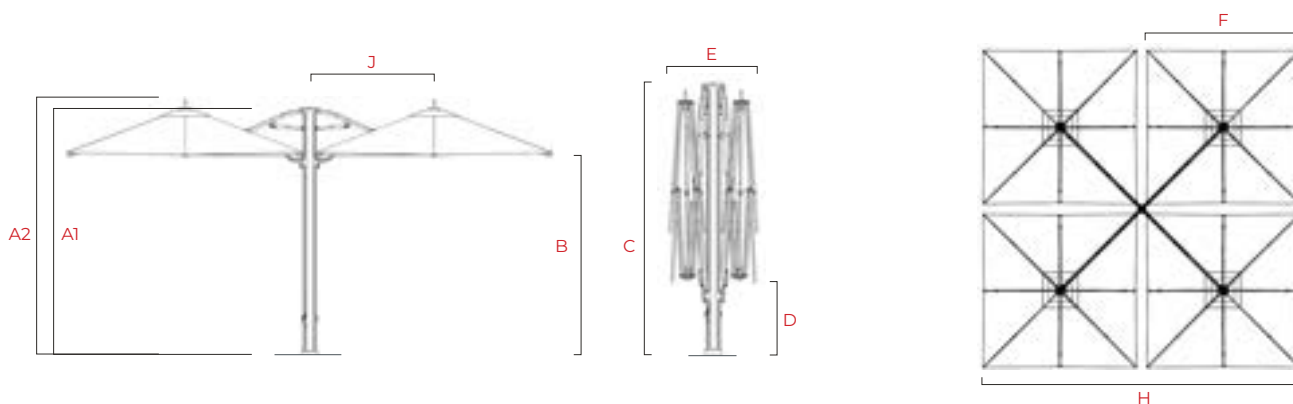
SHAPES		SQUARE	
SIZES (ft/cm)		8.0 / 245	10.0 / 305
A1 (in/cm)	MAST HEIGHT (open)	102 / 259	107 / 272
A2 (in/cm)	TOTAL HEIGHT (open)	106 / 269	117 / 298
B (in/cm)	CANOPY CLEARANCE	82 / 209	84 / 213
C (in/cm)	TOTAL HEIGHT (closed)	102 / 259	120 / 305
D (in/cm)	TABLE CLEARANCE	27 / 69	17 / 43
E (in/cm)	PARASOL WIDTH (closed)	35 / 88	32 / 82
F (in/cm)	FLAT TO FLAT	97 / 246	116 / 295
H (in/cm)	PARASOL WIDTH (open)	199 / 506	240 / 610
J (in/cm)	CENTER OF CANOPY (frame to center of base stem)	51 / 130	61 / 155

Dimension Tolerances $\pm 2'' / 5\text{cm}$. Dimensions shown are rounded to the nearest inch/cm and correspond to indicated lift system. Please check our 2D CAD-files for exact dimensions. Options are subject to change without notice.



PRODUCT SPECIFICATIONS

OCEAN MASTER M1 SHADE POD QUAD CANTILEVER



SHAPES		SQUARE	
SIZES (ft/cm)		8.0 / 245	10.0 / 305
A1 (in/cm)	MAST HEIGHT (open)	102 / 259	107 / 272
A2 (in/cm)	TOTAL HEIGHT (open)	106 / 268	117 / 298
B (in/cm)	CANOPY CLEARANCE	82 / 209	84 / 213
C (in/cm)	TOTAL HEIGHT (closed)	102 / 259	120 / 305
D (in/cm)	TABLE CLEARANCE	27 / 69	17 / 43
E (in/cm)	PARASOL WIDTH (closed)	35 / 88	32 / 82
F (in/cm)	FLAT TO FLAT	97 / 246	116 / 295
H (in/cm)	PARASOL WIDTH (open)	199 / 506	240 / 610
J (in/cm)	CENTER OF CANOPY (frame to center of base stem)	51 / 130	61 / 155

Dimension Tolerances $\pm 2'' / 5\text{cm}$. Dimensions shown are rounded to the nearest inch/cm and correspond to indicated lift system. Please check our 2D CAD-files for exact dimensions. Options are subject to change without notice.