

TABOELA

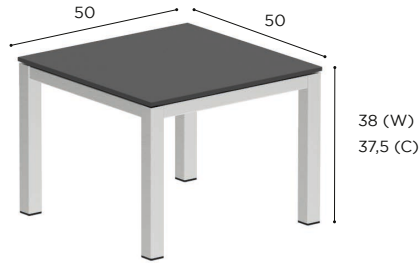
Design by Kris Van Puyvelde



TABOELA SPECIFICATIONS

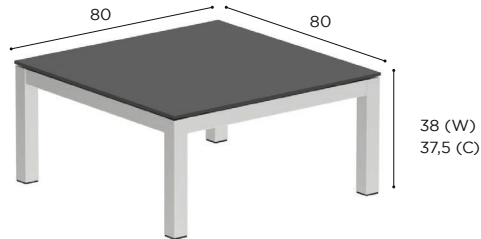
REFERENCE: STANDARD / LIMITED / ON REQUEST

SIDE TABLE	
REF:	TBL 50...
WEIGHT:	11,3 kg



		BRUSHED STAINLESS STEEL	ELECTROPOLISHED STAINLESS STEEL	COATED ALUMINIUM					
		SS	EP	W	PB	S	BR	A	
CERAMIC	WU	TBL 50 CWU	TBL 50 CEPWU	TBL 50 CWWU	TBL 50 CPBWU	TBL 50 CSWU	TBL 50 CBRWU	TBL 50 CAWU	
	TR	TBL 50 CTR	TBL 50 CEPTR	TBL 50 CWTR	TBL 50 CPBTR	TBL 50 CSTR	TBL 50 CBRTR	TBL 50 CATR	
	TG	TBL 50 CTG	TBL 50 CEPTG	TBL 50 CWTG	TBL 50 CPBTG	TBL 50 CSTG	TBL 50 CBRTG	TBL 50 CATG	
	PG	TBL 50 CPG	TBL 50 CEPPG	TBL 50 CWPG	TBL 50 CPBPG	TBL 50 CSPG	TBL 50 CBRPG	TBL 50 CAPG	
	ZU	TBL 50 CZU	TBL 50 CEPZU	TBL 50 CWZU	TBL 50 CPBZU	TBL 50 CSZU	TBL 50 CBRZU	TBL 50 CAZU	
	BS	TBL 50 CBS	TBL 50 CEPBS	TBL 50 CWBS	TBL 50 CPBBS	TBL 50 CSBS	TBL 50 CBRBS	TBL 50 CABS	
	CL	TBL 50 CCL	TBL 50 CEPCL	TBL 50 CWCL	TBL 50 CPBCL	TBL 50 CSCL	TBL 50 CBRCL	TBL 50 CACL	
	TS	TBL 50 CTS	TBL 50 CEPTS	TBL 50 CWTS	TBL 50 CPBTS	TBL 50 CSTS	TBL 50 CBRTS	TBL 50 CATS	
	TM	TBL 50 CTM	TBL 50 CEPTM	TBL 50 CWTM	TBL 50 CPBTM	TBL 50 CSTM	TBL 50 CBRTM	TBL 50 CATM	
	CD	TBL 50 CCD	TBL 50 CEPCD	TBL 50 CWCD	TBL 50 CPBCD	TBL 50 CSCD	TBL 50 CBRCD	TBL 50 CACD	
	NM	TBL 50 CNM	TBL 50 CEPNM	TBL 50 CWNM	TBL 50 CPBNM	TBL 50 CSNM	TBL 50 CBRNM	TBL 50 CANM	
	TEAK	W	TBL 50 W	TBL 50 WEP	TBL 50 WW	TBL 50 WPB	TBL 50 WS	TBL 50 WBR	TBL 50 WA

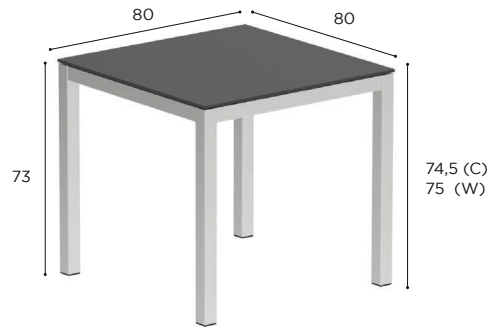
SIDE TABLE	
REF:	TBL 80T...
WEIGHT:	C: 26 kg W: 16 kg
INFO:	ASSEMBLING NEEDED



		BRUSHED STAINLESS STEEL	ELECTROPOLISHED STAINLESS STEEL	COATED ALUMINIUM					
		SS	EP	W	PB	S	BR	A	
CERAMIC	WU	TBL 80T CWU	TBL 80T CEPWU	TBL 80T CWWU	TBL 80T CPBWU	TBL 80T CSWU	TBL 80T CBRWU	TBL 80T CAWU	
	TR	TBL 80T CTR	TBL 80T CEPTR	TBL 80T CWTR	TBL 80T CPBTR	TBL 80T CSTR	TBL 80T CBRTR	TBL 80T CATR	
	TG	TBL 80T CTG	TBL 80T CEPTG	TBL 80T CWTG	TBL 80T CPBTG	TBL 80T CSTG	TBL 80T CBRTG	TBL 80T CATG	
	PG	TBL 80T CPG	TBL 80T CEPPG	TBL 80T CWPG	TBL 80T CPBPG	TBL 80T CSPG	TBL 80T CBRPG	TBL 80T CAPG	
	ZU	TBL 80T CZU	TBL 80T CEPZU	TBL 80T CWZU	TBL 80T CPBZU	TBL 80T CSZU	TBL 80T CBRZU	TBL 80T CAZU	
	BS	TBL 80T CBS	TBL 80T CEPBS	TBL 80T CWBS	TBL 80T CPBBS	TBL 80T CSBS	TBL 80T CBRBS	TBL 80T CABS	
	CL	TBL 80T CCL	TBL 80T CEPCL	TBL 80T CWCL	TBL 80T CPBCL	TBL 80T CSCL	TBL 80T CBRCL	TBL 80T CACL	
	TS	TBL 80T CTS	TBL 80T CEPTS	TBL 80T CWTS	TBL 80T CPBTS	TBL 80T CSTS	TBL 80T CBRTS	TBL 80T CATS	
	TM	TBL 80T CTM	TBL 80T CEPTM	TBL 80T CWTM	TBL 80T CPBTM	TBL 80T CSTM	TBL 80T CBRTM	TBL 80T CATM	
	CD	TBL 80T CCD	TBL 80T CEPCD	TBL 80T CWCD	TBL 80T CPBCD	TBL 80T CSCD	TBL 80T CBRCD	TBL 80T CACD	
	NM	TBL 80T CNM	TBL 80T CEPNM	TBL 80T CWNM	TBL 80T CPBNM	TBL 80T CSNM	TBL 80T CBRNM	TBL 80T CANM	
	TEAK	W	TBL 80T W	TBL 80T WEP	TBL 80T WW	TBL 80T WPB	TBL 80T WS	TBL 80T WBR	TBL 80T WA

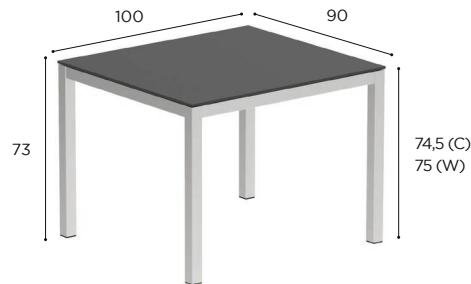
TABOELA SPECIFICATIONS

TABLE	
REF:	TBL 80...
WEIGHT:	C: 32 kg W: 22 kg
INFO:	ASSEMBLING NEEDED



		BRUSHED STAINLESS STEEL	ELECTROPOLISHED STAINLESS STEEL	COATED ALUMINIUM					
		SS	EP	W	PB	S	BR	A	
CERAMIC	WU	TBL 80 CWU	TBL 80 CEPWU	TBL 80 CWWU	TBL 80 CPBWU	TBL 80 CSWU	TBL 80 CBRWU	TBL 80 CAWU	
	TR	TBL 80 CTR	TBL 80 CEPTR	TBL 80 CWTR	TBL 80 CPBTR	TBL 80 CSTR	TBL 80 CBRTR	TBL 80 CATR	
	TG	TBL 80 CTG	TBL 80 CEPTG	TBL 80 CWTG	TBL 80 CPBTG	TBL 80 CSTG	TBL 80 CBRTG	TBL 80 CATG	
	PG	TBL 80 CPG	TBL 80 CEPPG	TBL 80 CWPG	TBL 80 CPBPG	TBL 80 CSPG	TBL 80 CBRPG	TBL 80 CAPG	
	ZU	TBL 80 CZU	TBL 80 CEPZU	TBL 80 CWZU	TBL 80 CPBZU	TBL 80 CSZU	TBL 80 CBRZU	TBL 80 CAZU	
	BS	TBL 80 CBS	TBL 80 CEPBS	TBL 80 CWBS	TBL 80 CPBBS	TBL 80 CSBS	TBL 80 CBRBS	TBL 80 CABS	
	CL	TBL 80 CCL	TBL 80 CEPCL	TBL 80 CWCL	TBL 80 CPBCL	TBL 80 CSCL	TBL 80 CBRCL	TBL 80 CACL	
	TS	TBL 80 CTS	TBL 80 CEPTS	TBL 80 CWTS	TBL 80 CPBTS	TBL 80 CSTS	TBL 80 CBRTS	TBL 80 CATS	
	TM	TBL 80 CTM	TBL 80 CEPTM	TBL 80 CWTM	TBL 80 CPBTM	TBL 80 CSTM	TBL 80 CBRTM	TBL 80 CATM	
	CD	TBL 80 CCD	TBL 80 CEPCD	TBL 80 CWCD	TBL 80 CPBCD	TBL 80 CSCD	TBL 80 CBRCD	TBL 80 CACD	
	NM	TBL 80 CNM	TBL 80 CEPNM	TBL 80 CWNM	TBL 80 CPBNM	TBL 80 CSNM	TBL 80 CBRNM	TBL 80 CANM	
	TEAK	W	TBL 80 W	TBL 80 WEP	TBL 80 WW	TBL 80 WPB	TBL 80 WS	TBL 80 WBR	TBL 80 WA

TABLE	
REF:	TBL 100...
WEIGHT:	44 kg
INFO:	ASSEMBLING NEEDED

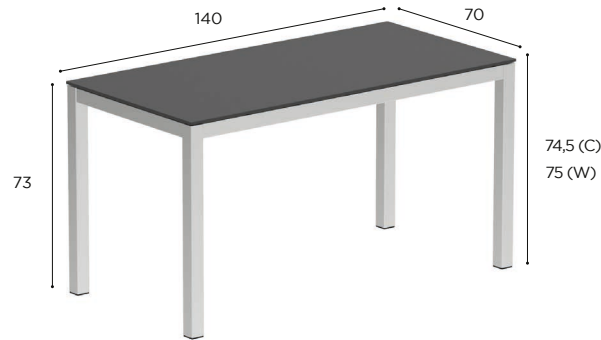


		BRUSHED STAINLESS STEEL	ELECTROPOLISHED STAINLESS STEEL	COATED ALUMINIUM					
		SS	EP	W	PB	S	BR	A	
CERAMIC	WU	TBL 100 CWU	TBL 100 CEPWU	TBL 100 CWWU	TBL 100 CPBWU	TBL 100 CSWU	TBL 100 CBRWU	TBL 100 CAWU	
	TR	TBL 100 CTR	TBL 100 CEPTR	TBL 100 CWTR	TBL 100 CPBTR	TBL 100 CSTR	TBL 100 CBRTR	TBL 100 CATR	
	TG	TBL 100 CTG	TBL 100 CEPTG	TBL 100 CWTG	TBL 100 CPBTG	TBL 100 CSTG	TBL 100 CBRTG	TBL 100 CATG	
	PG	TBL 100 CPG	TBL 100 CEPPG	TBL 100 CWPG	TBL 100 CPBPG	TBL 100 CSPG	TBL 100 CBRPG	TBL 100 CAPG	
	ZU	TBL 100 CZU	TBL 100 CEPZU	TBL 100 CWZU	TBL 100 CPBZU	TBL 100 CSZU	TBL 100 CBRZU	TBL 100 CAZU	
	BS	TBL 100 CBS	TBL 100 CEPBS	TBL 100 CWBS	TBL 100 CPBBS	TBL 100 CSBS	TBL 100 CBRBS	TBL 100 CABS	
	CL	TBL 100 CCL	TBL 100 CEPCL	TBL 100 CWCL	TBL 100 CPBCL	TBL 100 CSCL	TBL 100 CBRCL	TBL 100 CACL	
	TS	TBL 100 CTS	TBL 100 CEPTS	TBL 100 CWTS	TBL 100 CPBTS	TBL 100 CSTS	TBL 100 CBRTS	TBL 100 CATS	
	TM	TBL 100 CTM	TBL 100 CEPTM	TBL 100 CWTM	TBL 100 CPBTM	TBL 100 CSTM	TBL 100 CBRTM	TBL 100 CATM	
	CD	TBL 100 CCD	TBL 100 CEPCD	TBL 100 CWCD	TBL 100 CPBCD	TBL 100 CSCD	TBL 100 CBRCD	TBL 100 CACD	
	NM	TBL 100 CNM	TBL 100 CEPNM	TBL 100 CWNM	TBL 100 CPBNM	TBL 100 CSNM	TBL 100 CBRNM	TBL 100 CANM	
	TEAK	W	TBL 100 W	TBL 100 WEP	TBL 100 WW	TBL 100 WPB	TBL 100 WS	TBL 100 WBR	TBL 100 WA

TABOELA SPECIFICATIONS

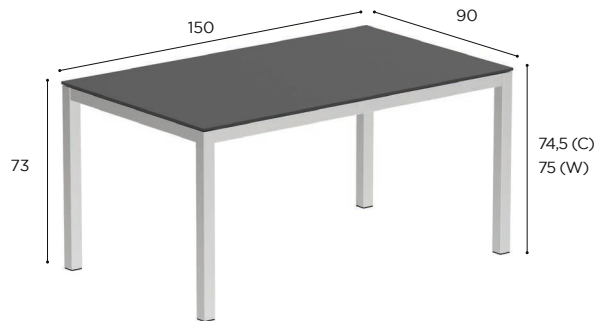
REFERENCE: STANDARD / LIMITED / ON REQUEST

TABLE	
REF:	TBL 140...
WEIGHT:	C: 62 kg W: 40 kg
INFO:	ASSEMBLING NEEDED



	BRUSHED STAINLESS STEEL	ELECTROPOLISHED STAINLESS STEEL	COATED ALUMINIUM						
	SS	EP	W	PB	S	BR	A		
CERAMIC	WU	TBL 140 CWU	TBL 140 CEPWU	TBL 140 CWWU	TBL 140 CPBWU	TBL 140 CSWU	TBL 140 CBRWU	TBL 140 CAWU	
	TR	TBL 140 CTR	TBL 140 CEPTR	TBL 140 CWTR	TBL 140 CPBTR	TBL 140 CSTR	TBL 140 CBRTR	TBL 140 CATR	
	TG	TBL 140 CTG	TBL 140 CEPTG	TBL 140 CWTG	TBL 140 CPBTG	TBL 140 CSTG	TBL 140 CBRTG	TBL 140 CATG	
	PG	TBL 140 CPG	TBL 140 CEPPG	TBL 140 CWPG	TBL 140 CPBPG	TBL 140 CSPG	TBL 140 CBRPG	TBL 140 CAPG	
	ZU	TBL 140 CZU	TBL 140 CEPZU	TBL 140 CWZU	TBL 140 CPBZU	TBL 140 CSZU	TBL 140 CBRZU	TBL 140 CAZU	
	BS	TBL 140 CBS	TBL 140 CEPBS	TBL 140 CWBS	TBL 140 CPBBS	TBL 140 CSBS	TBL 140 CBRBS	TBL 140 CABS	
	CL	TBL 140 CCL	TBL 140 CEPCL	TBL 140 CWCL	TBL 140 CPBCL	TBL 140 CSCL	TBL 140 CBRCL	TBL 140 CACL	
	TS	TBL 140 CTS	TBL 140 CEPTS	TBL 140 CWTS	TBL 140 CPBTS	TBL 140 CSTS	TBL 140 CBRTS	TBL 140 CATS	
	TM	TBL 140 CTM	TBL 140 CEPTM	TBL 140 CWTM	TBL 140 CPBTM	TBL 140 CSTM	TBL 140 CBRTM	TBL 140 CATM	
	CD	TBL 140 CCD	TBL 140 CEPCD	TBL 140 CWCD	TBL 140 CPBCD	TBL 140 CSCD	TBL 140 CBRCD	TBL 140 CACD	
	NM	TBL 140 CNM	TBL 140 CEPNM	TBL 140 CWNM	TBL 140 CPBNM	TBL 140 CSNM	TBL 140 CBRNM	TBL 140 CANM	
	TEAK	W	TBL 140 W	TBL 140 WEP	TBL 140 WW	TBL 140 WPB	TBL 140 WS	TBL 140 WBR	TBL 140 WA

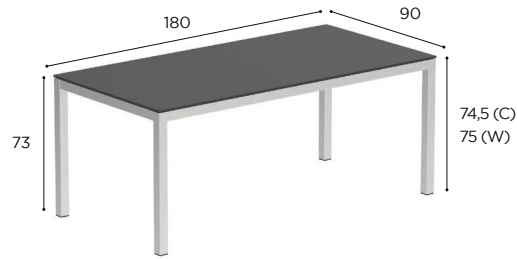
TABLE	
REF:	TBL 150...
WEIGHT:	C: 51,7 kg
INFO:	ASSEMBLING NEEDED



	BRUSHED STAINLESS STEEL	ELECTROPOLISHED STAINLESS STEEL	COATED ALUMINIUM						
	SS	EP	W	PB	S	BR	A		
CERAMIC	WU	TBL 150 CWU	TBL 150 CEPWU	TBL 150 CWWU	TBL 150 CPBWU	TBL 150 CSWU	TBL 150 CBRWU	TBL 150 CAWU	
	TR	TBL 150 CTR	TBL 150 CEPTR	TBL 150 CWTR	TBL 150 CPBTR	TBL 150 CSTR	TBL 150 CBRTR	TBL 150 CATR	
	TG	TBL 150 CTG	TBL 150 CEPTG	TBL 150 CWTG	TBL 150 CPBTG	TBL 150 CSTG	TBL 150 CBRTG	TBL 150 CATG	
	PG	TBL 150 CPG	TBL 150 CEPPG	TBL 150 CWPG	TBL 150 CPBPG	TBL 150 CSPG	TBL 150 CBRPG	TBL 150 CAPG	
	ZU	TBL 150 CZU	TBL 150 CEPZU	TBL 150 CWZU	TBL 150 CPBZU	TBL 150 CSZU	TBL 150 CBRZU	TBL 150 CAZU	
	BS	TBL 150 CBS	TBL 150 CEPBS	TBL 150 CWBS	TBL 150 CPBBS	TBL 150 CSBS	TBL 150 CBRBS	TBL 150 CABS	
	CL	TBL 150 CCL	TBL 150 CEPCL	TBL 150 CWCL	TBL 150 CPBCL	TBL 150 CSCL	TBL 150 CBRCL	TBL 150 CACL	
	TS	TBL 150 CTS	TBL 150 CEPTS	TBL 150 CWTS	TBL 150 CPBTS	TBL 150 CSTS	TBL 150 CBRTS	TBL 150 CATS	
	TM	TBL 150 CTM	TBL 150 CEPTM	TBL 150 CWTM	TBL 150 CPBTM	TBL 150 CSTM	TBL 150 CBRTM	TBL 150 CATM	
	CD	TBL 150 CCD	TBL 150 CEPCD	TBL 150 CWCD	TBL 150 CPBCD	TBL 150 CSCD	TBL 150 CBRCD	TBL 150 CACD	
	NM	TBL 150 CNM	TBL 150 CEPNM	TBL 150 CWNM	TBL 150 CPBNM	TBL 150 CSNM	TBL 150 CBRNM	TBL 150 CANM	
	TEAK	W	TBL 150 W	TBL 150 WEP	TBL 150 WW	TBL 150 WPB	TBL 150 WS	TBL 150 WBR	TBL 150 WA

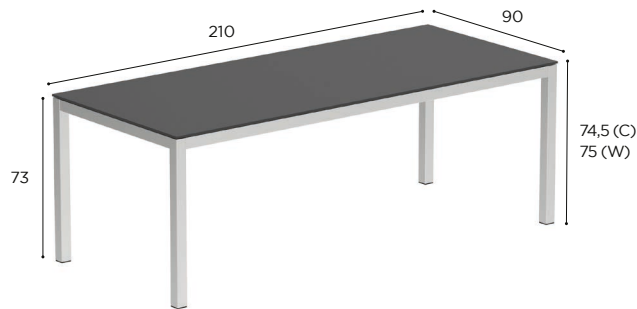
TABOELA SPECIFICATIONS

TABLE	
REF:	TBL 180...
WEIGHT:	C. 62 kg
INFO:	ASSEMBLING NEEDED



		BRUSHED STAINLESS STEEL	ELECTROPOLISHED STAINLESS STEEL	COATED ALUMINIUM					
		SS	EP	W	PB	S	BR	A	
CERAMIC	WU	TBL 180 CWU	TBL 180 CEPWU	TBL 180 CWWU	TBL 180 CPBWU	TBL 180 CSBWU	TBL 180 CBRWU	TBL 180 CAWU	
	TR	TBL 180 CTR	TBL 180 CEPTR	TBL 180 CWTR	TBL 180 CPBTR	TBL 180 CSTR	TBL 180 CBRTR	TBL 180 CATR	
	TG	TBL 180 CTG	TBL 180 CEPTG	TBL 180 CWTG	TBL 180 CPBTG	TBL 180 CSTG	TBL 180 CBR TG	TBL 180 CATG	
	PG	TBL 180 CPG	TBL 180 CEPPG	TBL 180 CWPG	TBL 180 CPBPG	TBL 180 CSPG	TBL 180 CBRPG	TBL 180 CAPG	
	ZU	TBL 180 CZU	TBL 180 CEPZU	TBL 180 CWZU	TBL 180 CPBZU	TBL 180 CSZU	TBL 180 CBRZU	TBL 180 CAZU	
	BS	TBL 180 CBS	TBL 180 CEPBS	TBL 180 CWBS	TBL 180 CPBBS	TBL 180 CSBS	TBL 180 CBRBS	TBL 180 CABS	
	CL	TBL 180 CCL	TBL 180 CEPCL	TBL 180 CWCL	TBL 180 CPBCL	TBL 180 CSCL	TBL 180 CBRCL	TBL 180 CA CL	
	TS	TBL 180 CTS	TBL 180 CEPTS	TBL 180 CWTS	TBL 180 CPBTS	TBL 180 CSTS	TBL 180 CBR TS	TBL 180 CATS	
	TM	TBL 180 CTM	TBL 180 CEPTM	TBL 180 CWTM	TBL 180 CPBTM	TBL 180 CSTM	TBL 180 CBR TM	TBL 180 CATM	
	CD	TBL 180 CCD	TBL 180 CEP CD	TBL 180 CWCD	TBL 180 CPBCD	TBL 180 CSCD	TBL 180 CBR CD	TBL 180 CACD	
	NM	TBL 180 CNM	TBL 180 CEP NM	TBL 180 CWNM	TBL 180 CPBNM	TBL 180 CSNM	TBL 180 CBR NM	TBL 180 CANM	
	TEAK	W	TBL 180 W	TBL 180 WEP	TBL 180 WW	TBL 180 WPB	TBL 180 WS	TBL 180 WBR	TBL 180 WA

TABLE	
REF:	TBL 210...
WEIGHT:	C. 73,5 kg
INFO:	ASSEMBLING NEEDED

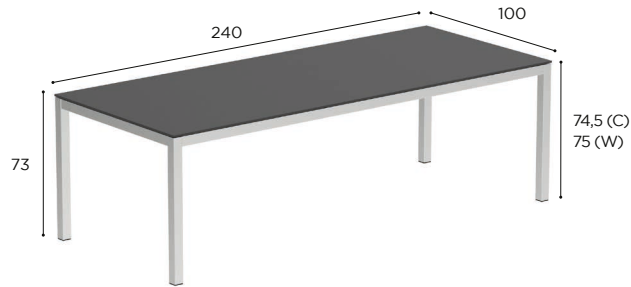


		BRUSHED STAINLESS STEEL	ELECTROPOLISHED STAINLESS STEEL	COATED STAINLESS STEEL					
		SS	EP	W	PB	S	BR	A	
CERAMIC	WU	TBL 210 CWU	TBL 210 CEPWU	TBL 210 CWWU	TBL 210 CPBWU	TBL 210 CSWU	TBL 210 CBRWU	TBL 210 CAWU	
	TR	TBL 210 CTR	TBL 210 CEPTR	TBL 210 CWTR	TBL 210 CPBTR	TBL 210 CSTR	TBL 210 CBRTR	TBL 210 CATR	
	TG	TBL 210 CTG	TBL 210 CEPTG	TBL 210 CWTG	TBL 210 CPBTG	TBL 210 CSTG	TBL 210 CBR TG	TBL 210 CATG	
	PG	TBL 210 CPG	TBL 210 CEPPG	TBL 210 CWPG	TBL 210 CPBPG	TBL 210 CSPG	TBL 210 CBRPG	TBL 210 CAPG	
	ZU	TBL 210 CZU	TBL 210 CEPZU	TBL 210 CWZU	TBL 210 CPBZU	TBL 210 CSZU	TBL 210 CBRZU	TBL 210 CAZU	
	BS	TBL 210 CBS	TBL 210 CEPBS	TBL 210 CWBS	TBL 210 CPBBS	TBL 210 CSBS	TBL 210 CBRBS	TBL 210 CABS	
	CL	TBL 210 CCL	TBL 210 CEPCL	TBL 210 CWCL	TBL 210 CPBCL	TBL 210 CSCL	TBL 210 CBRCL	TBL 210 CA CL	
	TS	TBL 210 CTS	TBL 210 CEPTS	TBL 210 CWTS	TBL 210 CPBTS	TBL 210 CSTS	TBL 210 CBR TS	TBL 210 CATS	
	TM	TBL 210 CTM	TBL 210 CEPTM	TBL 210 CWTM	TBL 210 CPBTM	TBL 210 CSTM	TBL 210 CBR TM	TBL 210 CATM	
	CD	TBL 210 CCD	TBL 210 CEP CD	TBL 210 CWCD	TBL 210 CPBCD	TBL 210 CSCD	TBL 210 CBR CD	TBL 210 CACD	
	NM	TBL 210 CNM	TBL 210 CEP NM	TBL 210 CWNM	TBL 210 CPBNM	TBL 210 CSNM	TBL 210 CBR NM	TBL 210 CANM	
	TEAK	W	TBL 210 W	TBL 210 WEP	TBL 210 WW	TBL 210 WPB	TBL 210 WS	TBL 210 WBR	TBL 210 WA

TABOELA SPECIFICATIONS

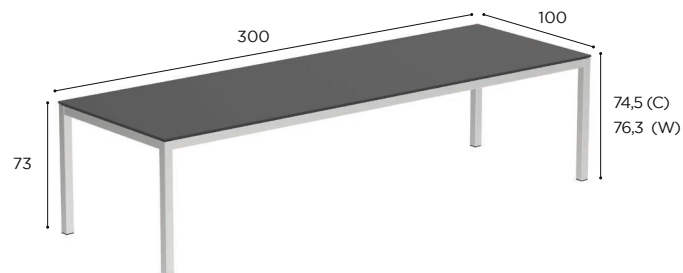
REFERENCE: STANDARD / LIMITED / ON REQUEST

TABLE	
REF:	TBL 240...
WEIGHT:	C: 84 kg
INFO:	ASSEMBLING NEEDED



		BRUSHED STAINLESS STEEL	ELECTROPOLISHED STAINLESS STEEL	COATED STAINLESS STEEL					
		SS	EP	W	PB	S	BR	A	
CERAMIC	WU	TBL 240 CWU	TBL 240 CEPWU	TBL 240 CWWU	TBL 240 CPBWU	TBL 240 CSWU	TBL 240 CBRWU	TBL 240 CAWU	
	TR	TBL 240 CTR	TBL 240 CEPTR	TBL 240 CWTR	TBL 240 CPBTR	TBL 240 CSTR	TBL 240 CBRTR	TBL 240 CATR	
	TG	TBL 240 CTG	TBL 240 CEPTG	TBL 240 CWTG	TBL 240 CPBTG	TBL 240 CSTG	TBL 240 CBRTG	TBL 240 CATG	
	PG	TBL 240 CPG	TBL 240 CEPPG	TBL 240 CWPG	TBL 240 CPBPG	TBL 240 CSPG	TBL 240 CBRPG	TBL 240 CAPG	
	ZU	TBL 240 CZU	TBL 240 CEPZU	TBL 240 CWZU	TBL 240 CPBZU	TBL 240 CSZU	TBL 240 CBRZU	TBL 240 CAZU	
	BS	TBL 240 CBS	TBL 240 CEPBS	TBL 240 CWBS	TBL 240 CPBBS	TBL 240 CSBS	TBL 240 CBRBS	TBL 240 CABS	
	CL	TBL 240 CCL	TBL 240 CEPCL	TBL 240 CWCL	TBL 240 CPBCL	TBL 240 CSCL	TBL 240 CBRCL	TBL 240 CACL	
	TS	TBL 240 CTS	TBL 240 CEPTS	TBL 240 CWTS	TBL 240 CPBTS	TBL 240 CSTS	TBL 240 CBRTS	TBL 240 CATS	
	TM	TBL 240 CTM	TBL 240 CEPTM	TBL 240 CWTM	TBL 240 CPBTM	TBL 240 CSTM	TBL 240 CBRTM	TBL 240 CATM	
	CD	TBL 240 CCD	TBL 240 CEPCD	TBL 240 CWCD	TBL 240 CPBCD	TBL 240 CSCD	TBL 240 CBRCD	TBL 240 CACD	
	NM	TBL 240 CNM	TBL 240 CEPNM	TBL 240 CWNM	TBL 240 CPBNM	TBL 240 CSNM	TBL 240 CBRNM	TBL 240 CANM	
	TEAK	W	TBL 240 W	TBL 240 WEP	TBL 240 WW	TBL 240 WPB	TBL 240 WS	TBL 240 WBR	TBL 240 WA

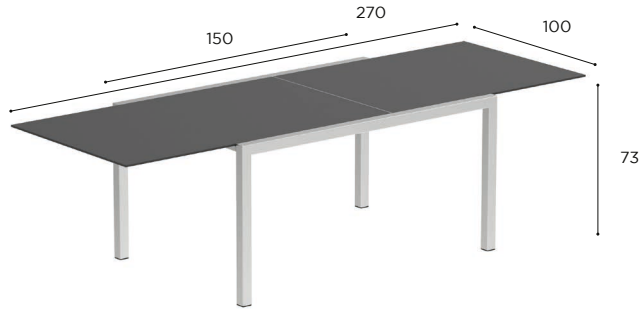
TABLE	
REF:	TBL 300...
WEIGHT:	C: 124 kg
INFO:	ASSEMBLING NEEDED



		BRUSHED STAINLESS STEEL	ELECTROPOLISHED STAINLESS STEEL	COATED STAINLESS STEEL					
		SS	EP	W	PB	S	BR	A	
CERAMIC	WU	TBL 300 CWU	TBL 300 CEPWU	TBL 300 CWWU	TBL 300 CPBWU	TBL 300 CSWU	TBL 300 CBRWU	TBL 300 CAWU	
	TR	TBL 300 CTR	TBL 300 CEPTR	TBL 300 CWTR	TBL 300 CPBTR	TBL 300 CSTR	TBL 300 CBRTR	TBL 300 CATR	
	TG	TBL 300 CTG	TBL 300 CEPTG	TBL 300 CWTG	TBL 300 CPBTG	TBL 300 CSTG	TBL 300 CBRTG	TBL 300 CATG	
	PG	TBL 300 CPG	TBL 300 CEPPG	TBL 300 CWPG	TBL 300 CPBPG	TBL 300 CSPG	TBL 300 CBRPG	TBL 300 CAPG	
	ZU	TBL 300 CZU	TBL 300 CEPZU	TBL 300 CWZU	TBL 300 CPBZU	TBL 300 CSZU	TBL 300 CBRZU	TBL 300 CAZU	
	BS	TBL 300 CBS	TBL 300 CEPBS	TBL 300 CWBS	TBL 300 CPBBS	TBL 300 CSBS	TBL 300 CBRBS	TBL 300 CABS	
	CL	TBL 300 CCL	TBL 300 CEPCL	TBL 300 CWCL	TBL 300 CPBCL	TBL 300 CSCL	TBL 300 CBRCL	TBL 300 CACL	
	TS	TBL 300 CTS	TBL 300 CEPTS	TBL 300 CWTS	TBL 300 CPBTS	TBL 300 CSTS	TBL 300 CBRTS	TBL 300 CATS	
	TM	TBL 300 CTM	TBL 300 CEPTM	TBL 300 CWTM	TBL 300 CPBTM	TBL 300 CSTM	TBL 300 CBRTM	TBL 300 CATM	
	CD	TBL 300 CCD	TBL 300 CEPCD	TBL 300 CWCD	TBL 300 CPBCD	TBL 300 CSCD	TBL 300 CBRCD	TBL 300 CACD	
	NM	TBL 300 CNM	TBL 300 CEPNM	TBL 300 CWNM	TBL 300 CPBNM	TBL 300 CSNM	TBL 300 CBRNM	TBL 300 CANM	
	TEAK	W	TBL 300 W	TBL 300 WEP	TBL 300 WW	TBL 300 WPB	TBL 300 WS	TBL 300 WBR	TBL 300 WA

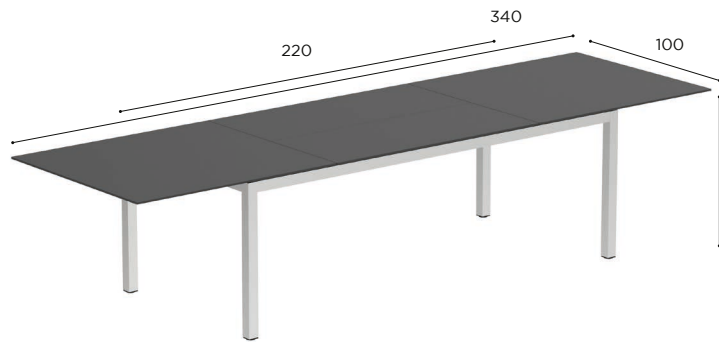
TABOELA SPECIFICATIONS

EXTENDABLE TABLE	
REF:	TBL 270E...
WEIGHT:	C: 90 kg
INFO:	ASSEMBLING NEEDED EXTENDABLE



		BRUSHED STAINLESS STEEL	ELECTROPOLISHED STAINLESS STEEL	COATED STAINLESS STEEL				
		SS	EP	W	PB	S	BR	A
CERAMIC	WU	TBL 270E CWU *	TBL 270E CEPWU *	TBL 270E CWWU *	TBL 270E CPBWU *	TBL 270E CSWU *	TBL 270E CBRWU *	TBL 270E CAWU *
	PG	TBL 270E CPG *	TBL 270E CEP PG *	TBL 270E CWPG *	TBL 270E CPBPG *	TBL 270E CSPG *	TBL 270E CBRPG *	TBL 270E CAPG *
	ZU	TBL 270E CZU *	TBL 270E CEPZU *	TBL 270E CWZU *	TBL 270E CPBZU *	TBL 270E CSZU *	TBL 270E CBRZU *	TBL 270E CAZU *

EXTENDABLE TABLE	
REF:	TBL 340...
WEIGHT:	C: 115 kg W: 73 kg
INFO:	ASSEMBLING NEEDED EXTENDABLE

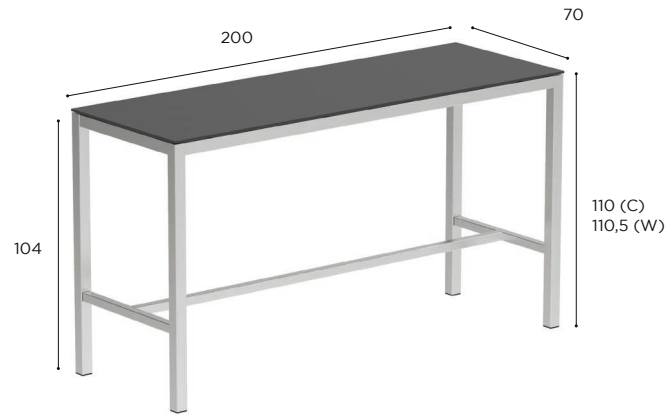


		BRUSHED STAINLESS STEEL	ELECTROPOLISHED STAINLESS STEEL	COATED STAINLESS STEEL				
		SS	EP	W	PB	S	BR	A
CERAMIC	WU	TBL 340 CWU	TBL 340 CEPWU	TBL 340 CWWU	TBL 340 CPBWU	TBL 340 CSWU	TBL 340 CBRWU	TBL 340 CAWU
	PG	TBL 340 CPG	TBL 340 CEP PG	TBL 340 CWPG	TBL 340 CPBPG	TBL 340 CSPG	TBL 340 CBRPG	TBL 340 CAPG
	ZU	TBL 340 CZU	TBL 340 CEPZU	TBL 340 CWZU	TBL 340 CPBZU	TBL 340 CSZU	TBL 340 CBRZU	TBL 340 CAZU
TEAK	W	TBL 340 W	TBL 340 WEP	TBL 340 WW	TBL 340 WPB	TBL 340 WS	TBL 340 WBR	TBL 340 WA

TABOELA SPECIFICATIONS

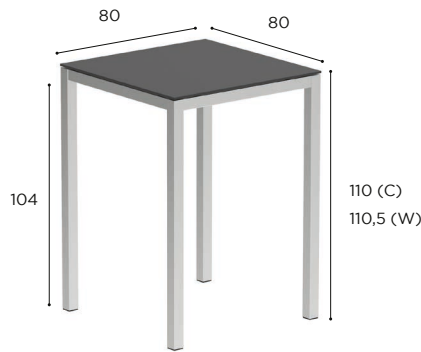
REFERENCE: STANDARD / LIMITED / ON REQUEST

BAR TABLE	
REF:	TBL 200H...
WEIGHT:	C: 84 kg
INFO:	ASSEMBLING NEEDED



		BRUSHED STAINLESS STEEL	ELECTROPOLISHED STAINLESS STEEL	COATED STAINLESS STEEL					
		SS	EP	W	PB	S	BR	A	
CERAMIC	WU	TBL 200H CWU	TBL 200H CEPWU	TBL 200H CWWU	TBL 200H CPBWU	TBL 200H CSZU	TBL 200H CBRWU	TBL 200H CAWU	
	BS	TBL 200H CBS	TBL 200H CEPBS	TBL 200H CWBS	TBL 200H CPBBS	TBL 200H CSBS	TBL 200H CBRBS	TBL 200H CABS	
	CD	TBL 200H CCD	TBL 200H CEPCD	TBL 200H CWCD	TBL 200H CPBCD	TBL 200H CSCD	TBL 200H CBRCD	TBL 200H CACD	
	TR	TBL 200H CTR	TBL 200H CEPTR	TBL 200H CWTR	TBL 200H CPBTR	TBL 200H CSTR	TBL 200H CBRTR	TBL 200H CATR	
	TG	TBL 200H CTG	TBL 200H CEPTG	TBL 200H CWTG	TBL 200H CPBTG	TBL 200H CSTG	TBL 200H CBRTG	TBL 200H CATG	
	CL	TBL 200H CCL	TBL 200H CEPCL	TBL 200H CWCL	TBL 200H CPBCL	TBL 200H CSCL	TBL 200H CBRCL	TBL 200H CACL	
	TS	TBL 200H CTS	TBL 200H CEPTS	TBL 200H CWTS	TBL 200H CPBTS	TBL 200H CSTS	TBL 200H CBRTS	TBL 200H CATS	
	TM	TBL 200H CTM	TBL 200H CEPTM	TBL 200H CWTM	TBL 200H CPBTM	TBL 200H CSTM	TBL 200H CBRTM	TBL 200H CATM	
	PG	TBL 200H CPG	TBL 200H CEP PG	TBL 200H CWPG	TBL 200H CPBPG	TBL 200H CSPG	TBL 200H CBRPG	TBL 200H CAPG	
	NM	TBL 200H CNM	TBL 200H CEPNM	TBL 200H CWNM	TBL 200H CPBNM	TBL 200H CSNM	TBL 200H CBRNM	TBL 200H CANM	
	ZU	TBL 200H CZU	TBL 200H CEPZU	TBL 200H CWZU	TBL 200H CPBZU	TBL 200H CSZU	TBL 200H CBRZU	TBL 200H CAZU	
	TEAK	W	TBL 200H W	TBL 200H WEP	TBL 200H WW	TBL 200H WPB	TBL 200H WS	TBL 200H WBR	TBL 200H WA

BAR TABLE	
REF:	TBL 80H...
WEIGHT:	C: 36 kg W: 26 kg
INFO:	ASSEMBLING NEEDED



		BRUSHED STAINLESS STEEL	ELECTROPOLISHED STAINLESS STEEL	COATED ALUMINIUM					
		SS	EP	W	PB	S	BR	A	
CERAMIC	WU	TBL 80H CWU	TBL 80H CEPWU	TBL 80H CWWU	TBL 80H CPBWU	TBL 80H CSWU	TBL 80H CBRWU	TBL 80H CAWU	
	BS	TBL 80H CBS	TBL 80H CEPBS	TBL 80H CWBS	TBL 80H CPBBS	TBL 80H CSBS	TBL 80H CBRBS	TBL 80H CABS	
	CD	TBL 80H CCD	TBL 80H CEPCD	TBL 80H CWCD	TBL 80H CPBCD	TBL 80H CSCD	TBL 80H CBRCD	TBL 80H CACD	
	TR	TBL 80H CTR	TBL 80H CEPTR	TBL 80H CWTR	TBL 80H CPBTR	TBL 80H CSTR	TBL 80H CBRTR	TBL 80H CATR	
	TG	TBL 80H CTG	TBL 80H CEPTG	TBL 80H CWTG	TBL 80H CPBTG	TBL 80H CSTG	TBL 80H CBRTG	TBL 80H CATG	
	CL	TBL 80H CCL	TBL 80H CEPCL	TBL 80H CWCL	TBL 80H CPBCL	TBL 80H CSCL	TBL 80H CBRCL	TBL 80H CACL	
	TS	TBL 80H CTS	TBL 80H CEPTS	TBL 80H CWTS	TBL 80H CPBTS	TBL 80H CSTS	TBL 80H CBRTS	TBL 80H CATS	
	TM	TBL 80H CTM	TBL 80H CEPTM	TBL 80H CWTM	TBL 80H CPBTM	TBL 80H CSTM	TBL 80H CBRTM	TBL 80H CATM	
	PG	TBL 80H CPG	TBL 80H CEP PG	TBL 80H CWPG	TBL 80H CPBPG	TBL 80H CSPG	TBL 80H CBRPG	TBL 80H CAPG	
	NM	TBL 80H CNM	TBL 80H CEPNM	TBL 80H CWNM	TBL 80H CPBNM	TBL 80H CSNM	TBL 80H CBRNM	TBL 80H CANM	
	ZU	TBL 80H CZU	TBL 80H CEPZU	TBL 80H CWZU	TBL 80H CPBZU	TBL 80H CSZU	TBL 80H CBRZU	TBL 80H CAZU	
	TEAK	W	TBL 80H W	TBL 80H WEP	TBL 80H WW	TBL 80H WPB	TBL 80H WS	TBL 80H WBR	TBL 80H WA